

MAIN PARAMETERS

Indicates with red/green light for the operator, which part has to be built in. Control boxes with AS-interface controllers.

- Red or green light indication, controllable via the AS-I network.
- Long-life, high-brightness LED indication.
- The module can be easily installed on a hanging structure.



TYPE RANGE

KVL-PICK013 PTL display module with AS-I control, indicate with red/green.

EXTRA ACCESSORIES

KVL-PICK006-K04 AS-I CABEL SOCKET

STRUCTURE OF TYPE NUMBERS

KVL-PICK006-K04-₁ - ₂

1. Moulded M12 socket with 2m cable:
 - I: straight plug
 - L: angled plug
2. Assembled M12 socket:
 - I: straight plug
 - L: angled plug



Type No.	Length (m)	Conductor size	[1] Moulded socket	[2] Assembled socket
KVL-PICK006-K04-I-I	2	4*0.34 mm ²	M12, socket, straight	M12, socket, straight
KVL-PICK006-K04-I-L	2	4*0.34 mm ²	M12, socket, straight	M12, socket, angled
KVL-PICK006-K04-L-I	2	4*0.34 mm ²	M12, socket, angled	M12, socket, straight
KVL-PICK006-K04-L-L	2	4*0.34 mm ²	M12, socket, angled	M12, socket, angled

The [2] assembled socket is delivered separately and has to be connected after cutting the cable (2 meters). Any further information can be found on the datasheet of cable socket. If 1-2 parameters are not defined in the order we deliver automatically KVL-PICK006-K04-L-I type.

TECHNICAL DATA

ELECTRICAL CHARACTERISTICS AND ENVIRONMENT

Power supply	U_{AUX} , AS-i
Supply voltage	$U_{AUX} = 24V$, AS-i = 18.5 V ... 31.6 V
Current limitation I_{max}	AS-i = 40 mA, $U_{AUX} = 220$ mA
Reverse over potential protection	integrated
Operating temperature	-25°C ... +70°C
Storage temperature	-40°C ... +70°C
Degree of protection (EN 60 529)	IP54
EMC directives	EN 61 000-6-2, EN 61 000-6-4

AS-I DATA

	I/O	=0	=1	
Data bits	D0	O1	RED LED OFF	
	D1	O2	GREEN LED ON	
	D2	I1	Not used	
	D3	I2	Not used	
Parameter bits	P0	Not used		
	P1	Not used		
	P2	Not used		
	P3	Not used		
Address setup	00, changeable via bus-master or programming devices			
Programming	IO	B		
	ID	A		
	ID2	E		

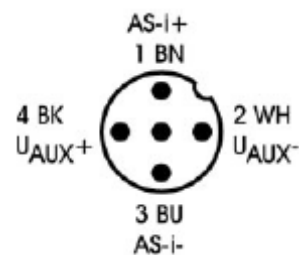
OPERATION DIAGRAM



CONNECTOR

M12, 4 Pole, male
Cable colours: According to Euro-Norm EN 50044

	Cable colours	
1	Brown	AS-i +
2	White	$U_{AUX} 24V -$
3	Blue	AS-i -
4	Black	$U_{AUX} 24V +$
5	Grey	Not used



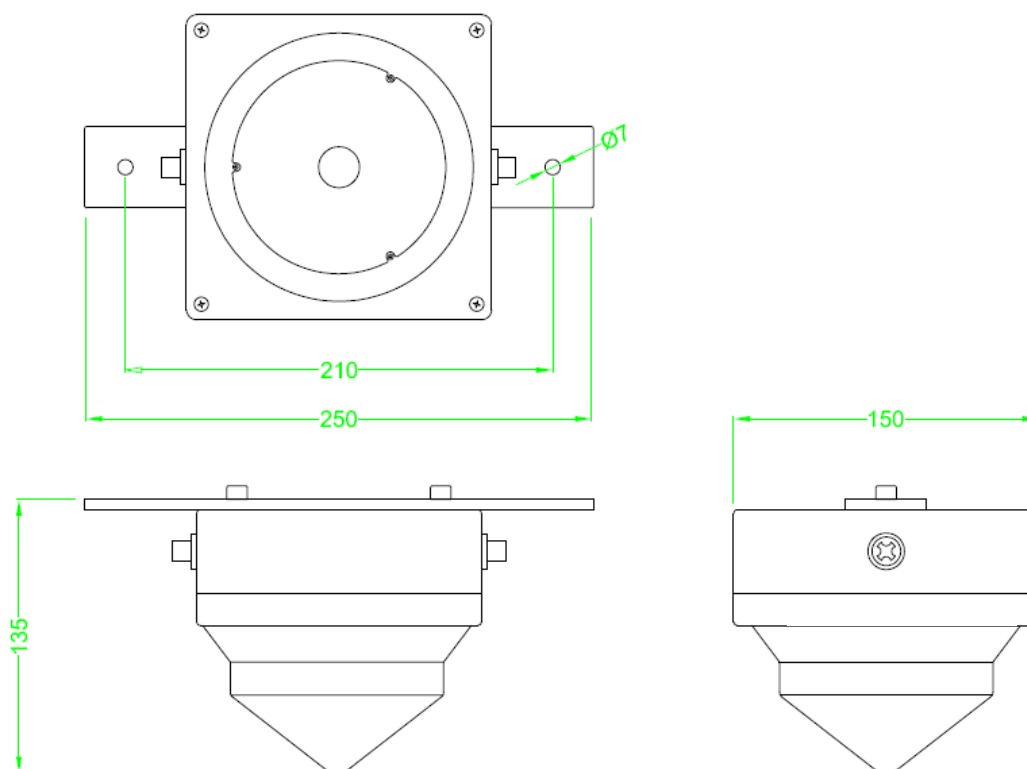
INSTALLATION

The equipment can be fixed by M6 bolt (optional). Please remember to place the box with the lights, during the installation, where it is visible for the operator.



DIMENSIONS

[Scale in mm]



CONTACT

KVL COMP Vezérléstechnikai Kft.

2500 Esztergom, Nagy Sándor József u. 3. HUNGARY

Tel.: 00-36-33-501-616

Fax: 00-36-33-501-615

www.kvlcomp.eu

info@kvlcomp.eu

KVL COMP s.r.o.

Komenského 35, 94301 Štúrovo, SLOVAKIA

Tel.: 00-36-33-501-616

Fax: 00-36-33-501-615

www.kvlcomp.eu

info@kvlcomp.eu