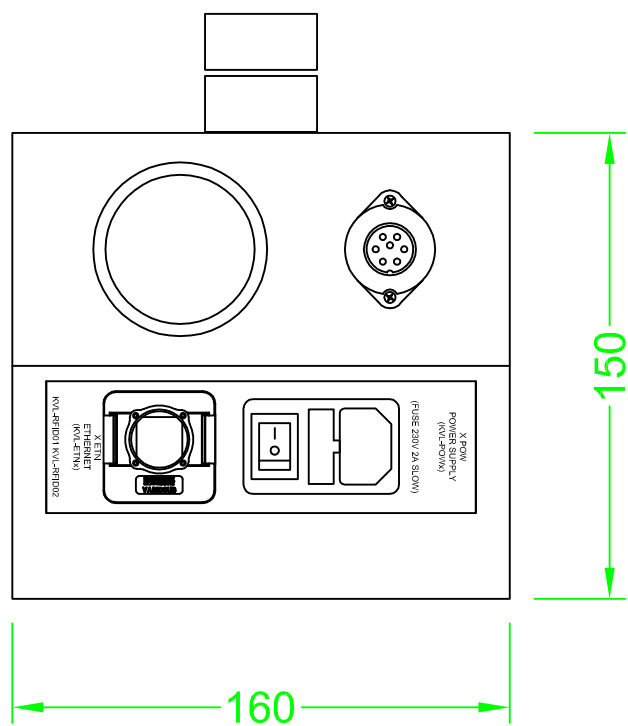
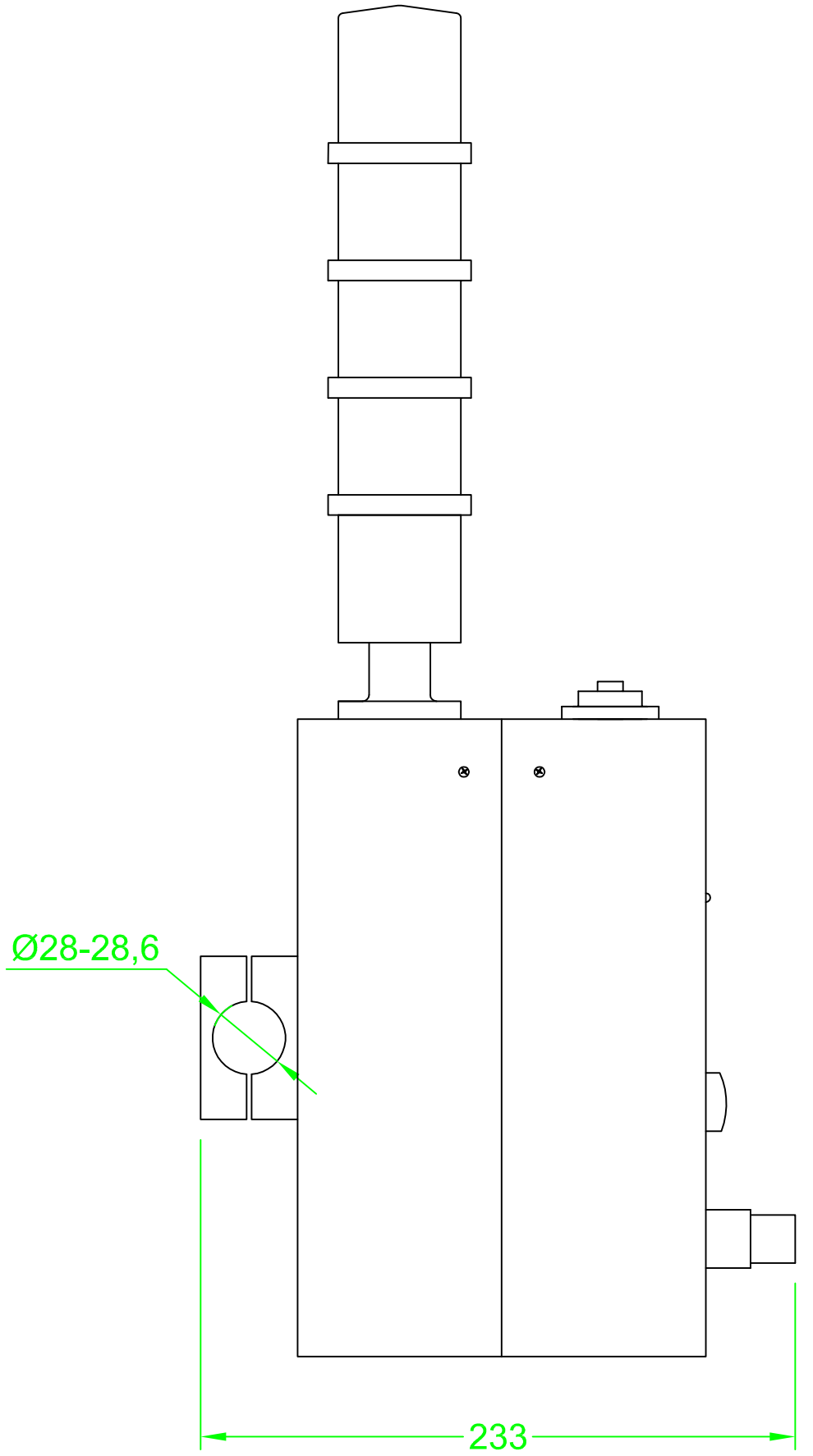
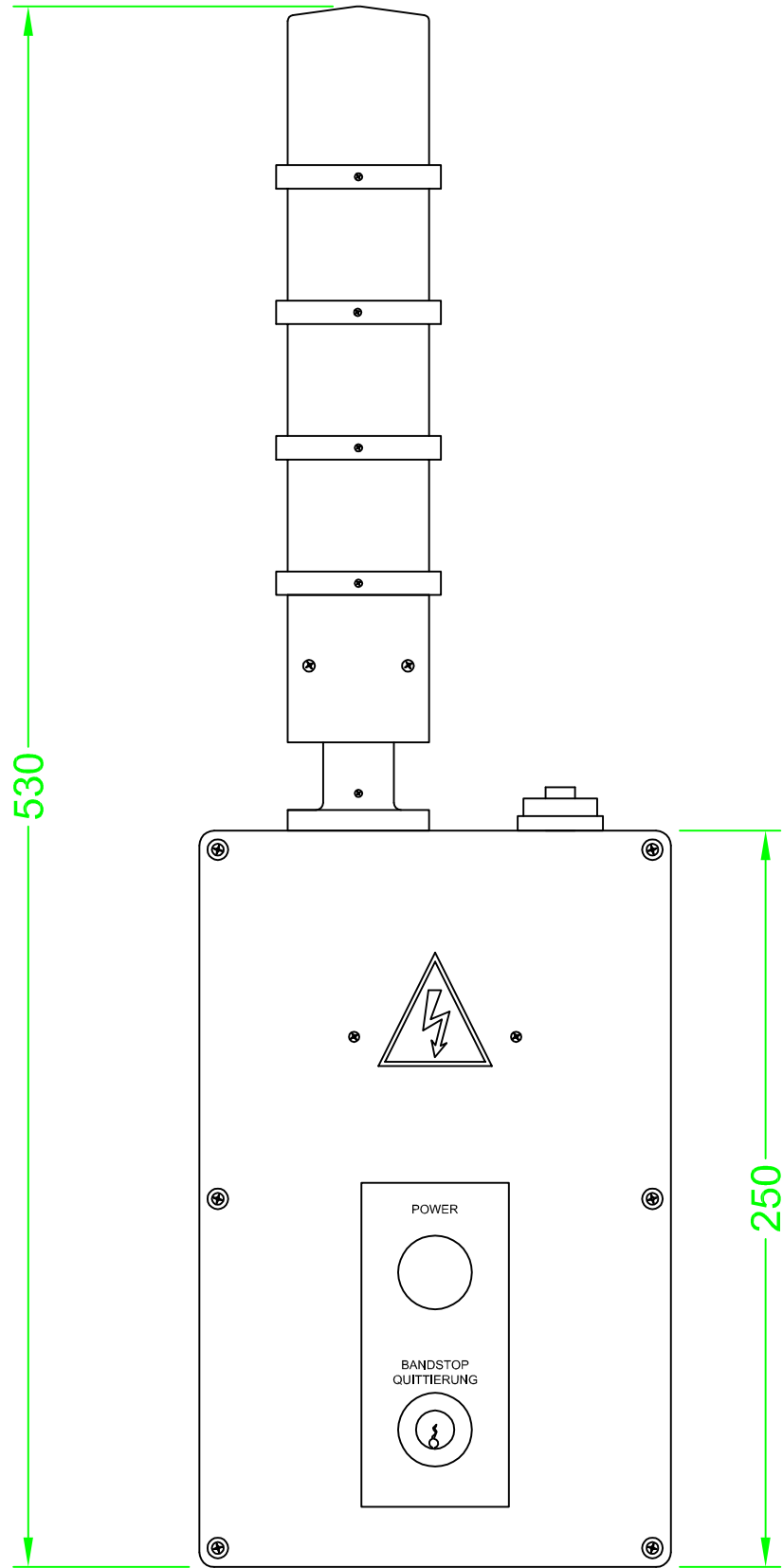


KVL-RFID02



KVL-RFID02 OVERVIEW			KVL COMP Industrial Automation Ltd.
KVL-RFID02-OV-JCvA		16/02/2010	
X Units	XX	1/X	