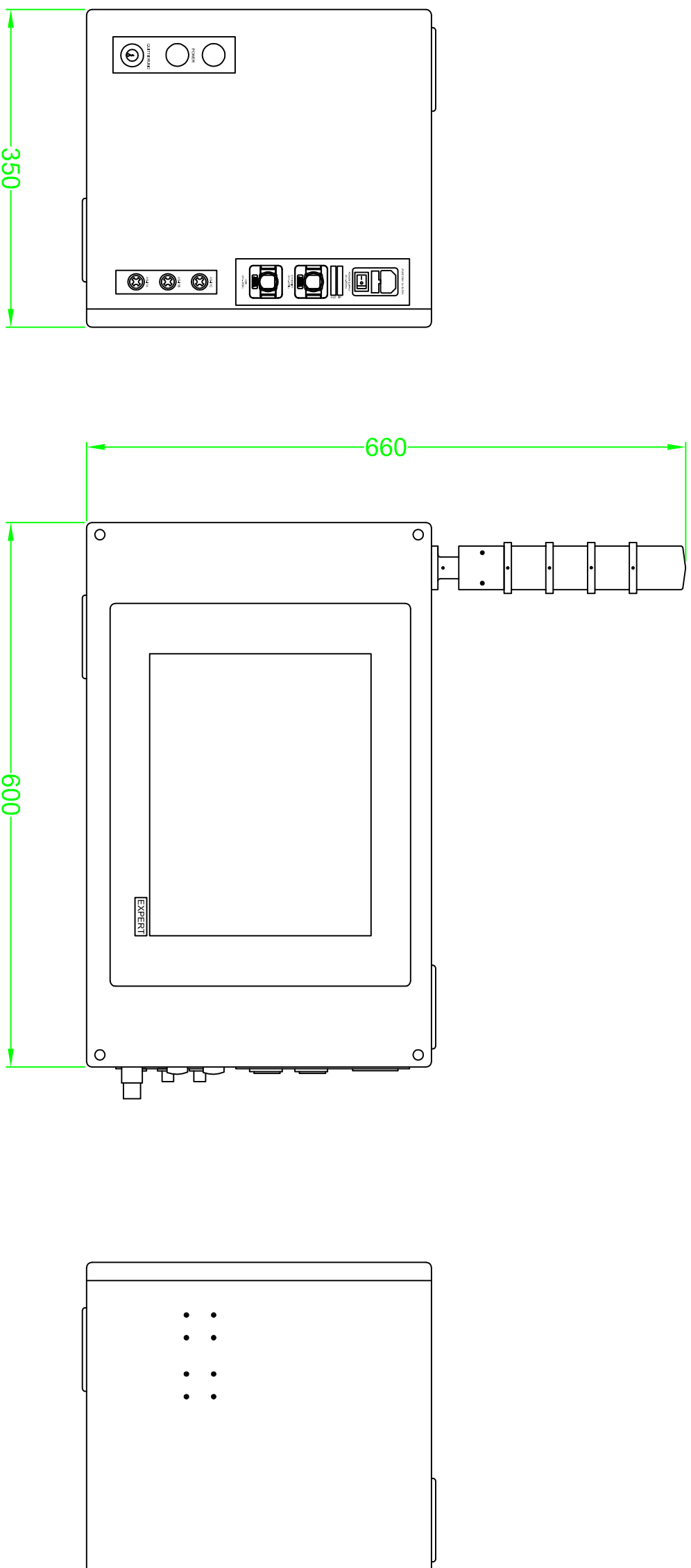


# PTL05-R-EX SUPERMARKET



<b>CONTROL BOX</b> <b>KVL-PTL05-R</b>		<b>KVL COMP</b> <i>Industrial Automation Ltd.</i>	
KVL-PTL05-R-EX-JCVA		02/04/2010	
X Units	xxx	1/2	