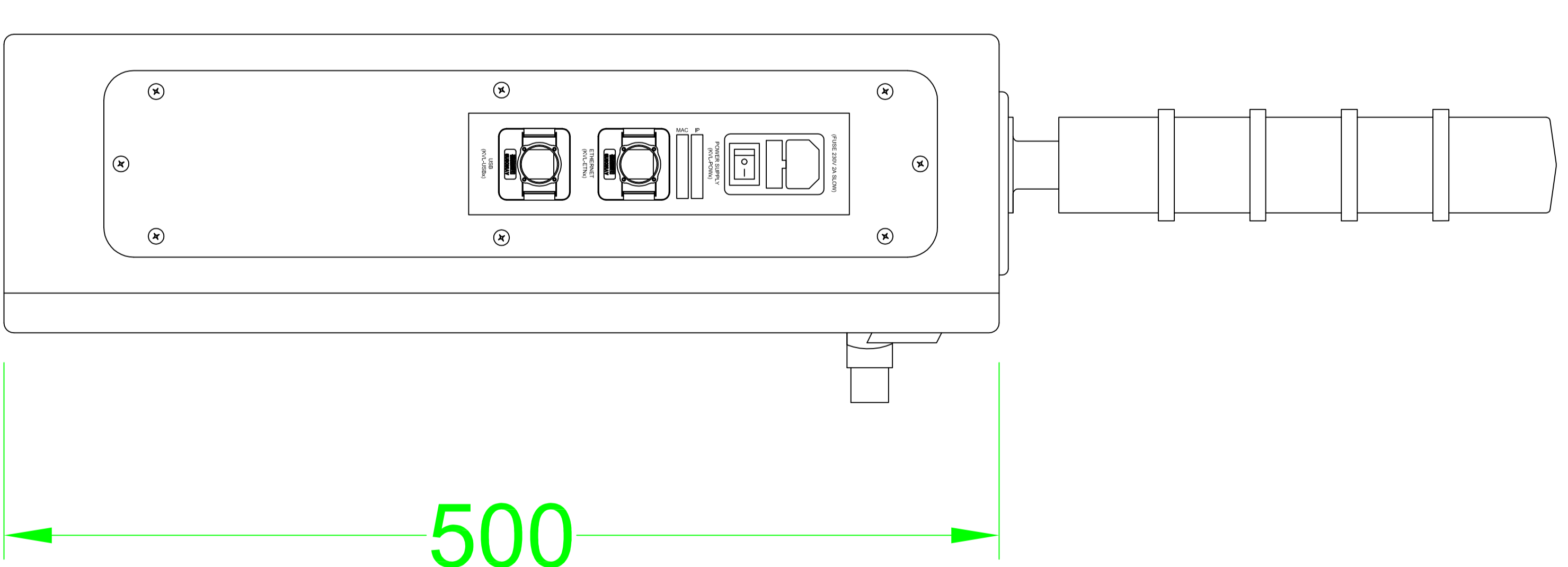
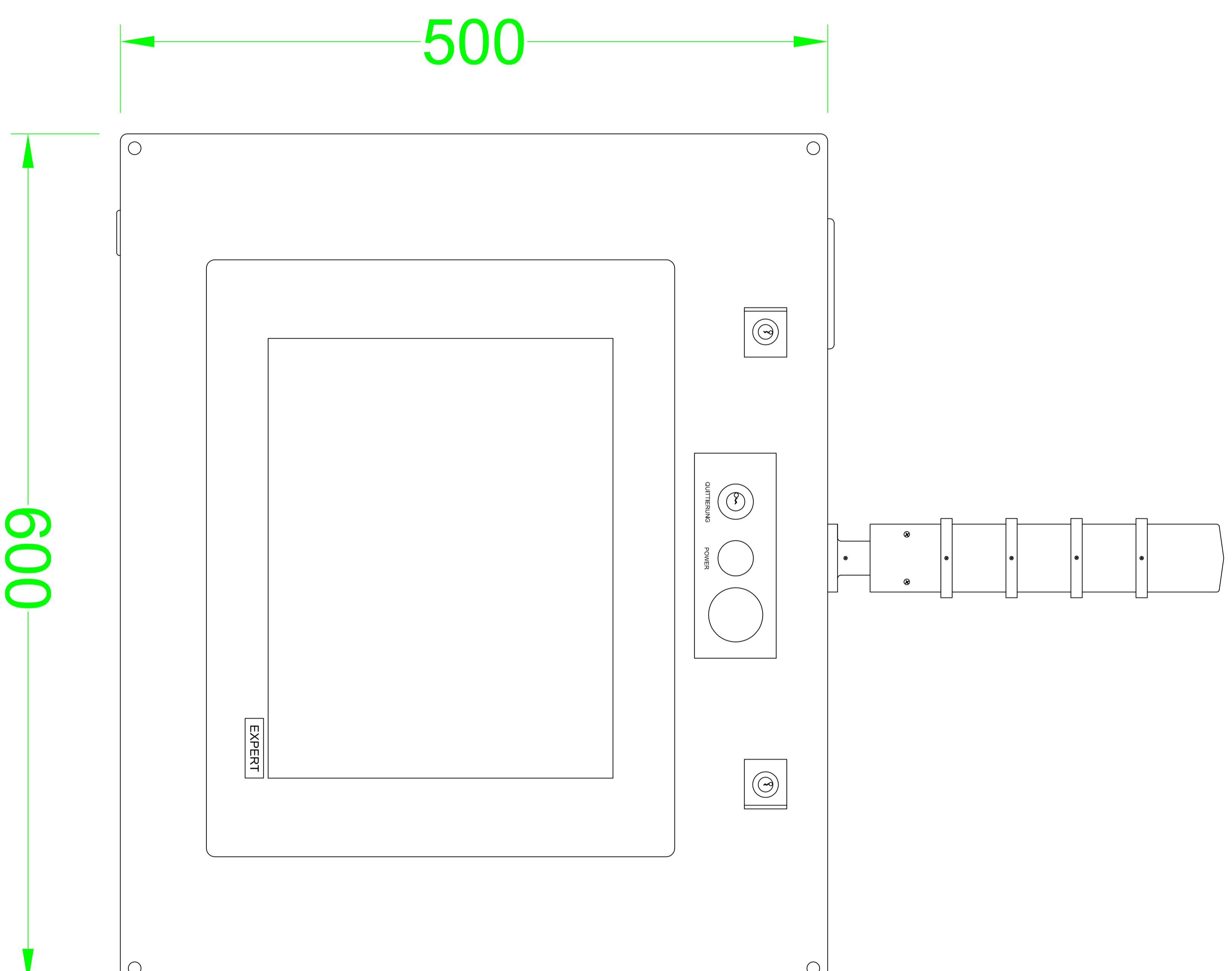
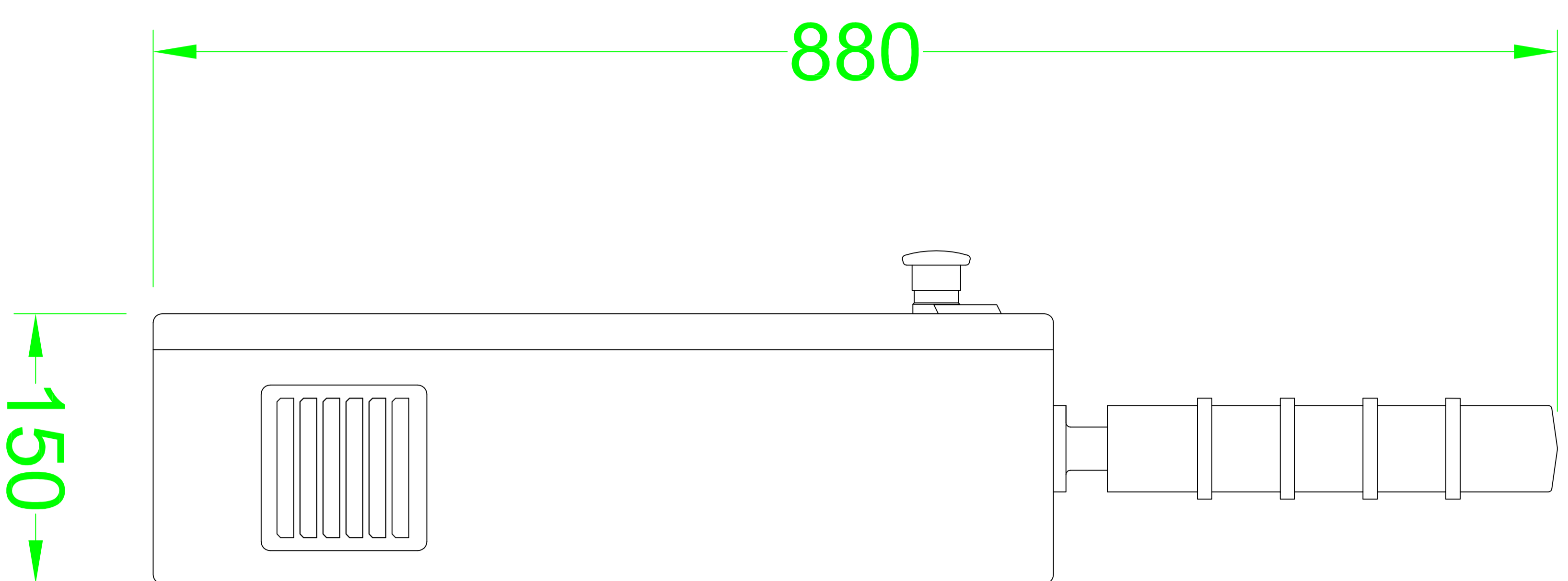


TVP02



CONTROL BOX KVL-TVP02		KVL COMP <i>Industrial Automation Ltd.</i>	
KVL-TVP02-JCVA		14/07/2010	
X Units	xxx	1/2	