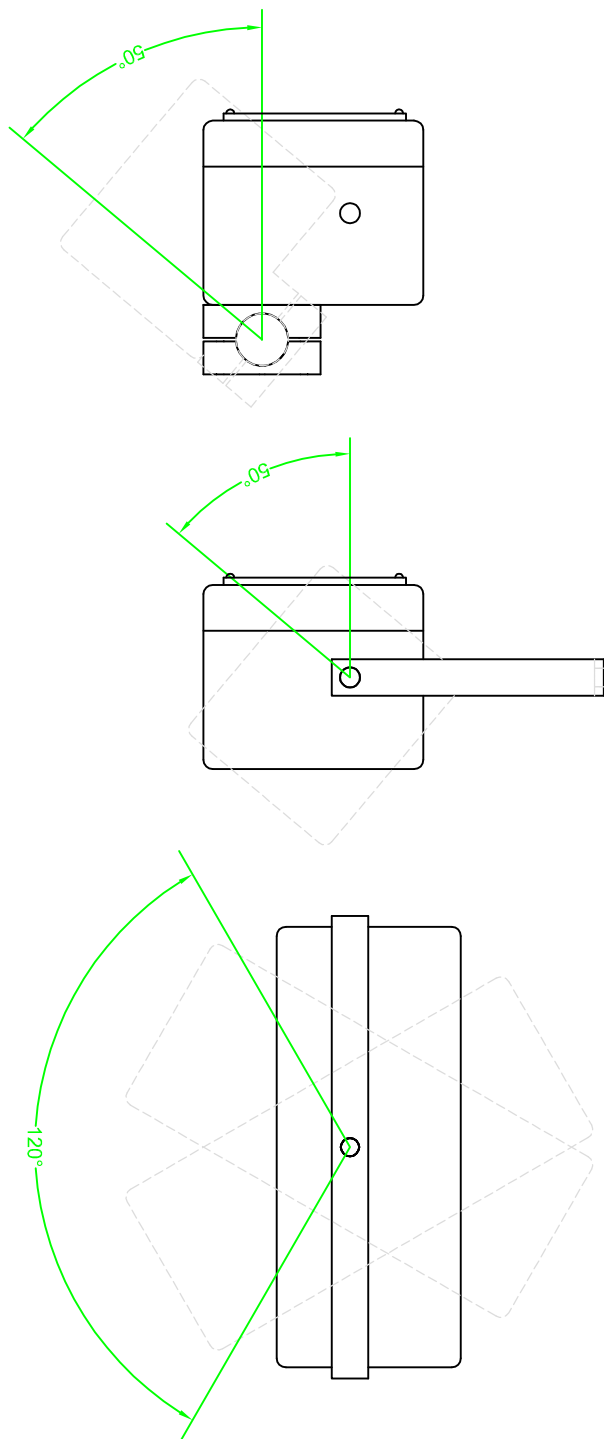
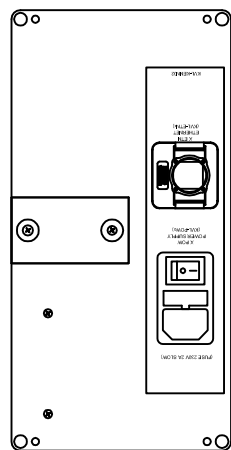
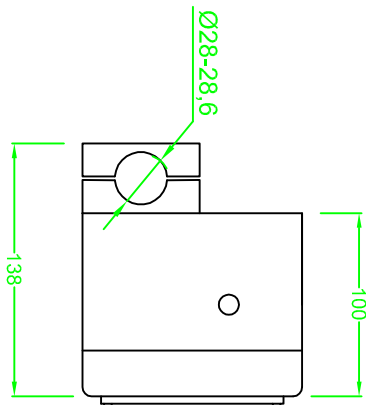
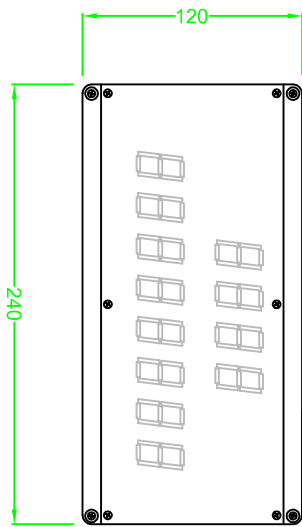


# KVL-KENN02 SEQUENCE/KENNUMMER DISPLAYS



KVL-KENN02 OVERVIEW		KVL COMP Industrial Automation Ltd.
KVLKENN02-Overview	05/02/2010	
XX.XXX	XX	TX